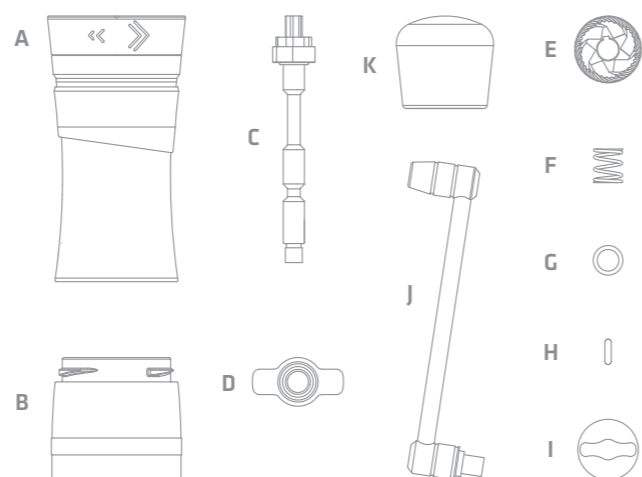




Please be careful:

- This grinder contains small pieces and components that can be easily lost. Exercise caution when handling.
- Do not do not wash in dishwasher
- Do not disassemble the adjustment ring
- Do not let children use this coffee grinder because contains small and heavy components.
- Do not use water or any other liquid to clean the grinder's internal and external parts.
- Keep water and all other liquids away from coffee beans before and during the grinding process.
- Adjust the grind setting before placing beans in the coffee grinder.



NORMATIVE REFERENCES

We hereby declare that the coffee grinder and grinder-dispenser units, in addition to their relative components - supplied by us and intended to come into contact with coffee - comply with the following European

Community legislation:

- Regulation (EC) No. 1935/2004
- Regulation (EC) No. 2023/2006
- Regulation (EC) No. 1907/2006

and their subsequent updates and amendments

FOREWORD

Before using the appliance, carefully read this manual in its entirety as it provides important appliance safety, use and maintenance instructions. Store this manual in a safe place. The manufacturer reserves the right to modify the product and its manual.

TRANSPORTATION AND STORAGE

When opening the packaging, please thoroughly check that the appliance is still intact and has not sustained any damage. If in doubt, do not use it and contact qualified personnel or the manufacturer. The packaging materials must be kept out of the reach of children because they pose a safety risk. Retain the packaging until the guarantee has expired.

USE

Clean the grinder before the first use. Do not use the coffee grinder for any other purpose than that for which it was intended. Ensure that no liquid comes into contact with both the appliance's internal and external parts. Only ever grind coffee beans. Never use ground coffee in the place of coffee beans. Do not use the appliance to grind other types of food or anything else. Do not start the grinder without having correctly tightened the coffee collection cup (B). The coffee collection cup's maximum capacity is 42 grams (1.5 oz). Do not exceed this amount to avoid clogging or damaging the components. Be extra vigilant of the burrs' edges and teeth. The burrs are very sharp and can therefore easily cause an injury. Do not put your hands near the grinding area when the unit is in operation. Do not let children or incompetent people use/play with it.

To use the coffee grinder, grab hold of the body (A). Do not lift it via the knob (K) or lever (J). Whenever it is not in use, we recommend storing the appliance on a stable, flat surface to avoid the risk of falls that could cause damage to people or property.

CLEANING, STORAGE AND MAINTENANCE

Whilst performing any cleaning or maintenance operations, pay close attention to sharp or pointy parts, such as the burrs and threads. The coffee grinder contains small components that are easy to lose. Be vigilant whilst cleaning and maintaining the unit. Only use Mazzer original spare parts. Do not wash any of the components with chemical or abrasive substances. Do not use water or any other liquid to clean the appliance's internal and external parts.

None of the components are dishwasher-safe. Use clean and sanitised dry cloths/brushes to carry out the cleaning operations. Store the coffee grinder in a dry, shady place. Do not disassemble the adjustment ring (A). Should you need to assemble or disassemble the unit, only follow the instructions provided in this manual and perform them in the correct order. Do not tamper with the appliance. Do not attempt to move the lever (J) when the burrs are touching one another, in order to avoid damaging the internal components.

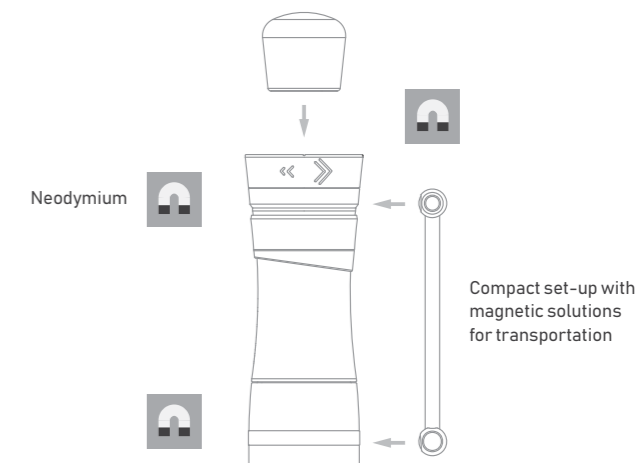
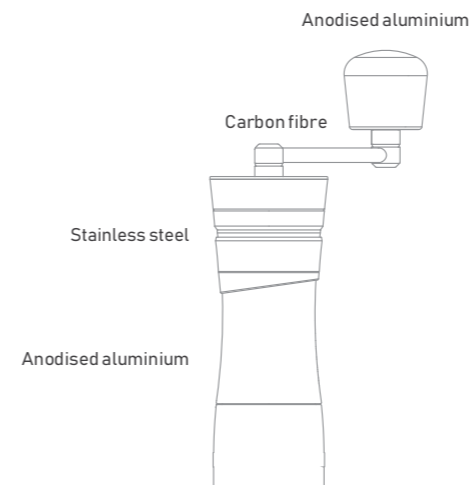
DISPOSAL

Comply with current regulations when disposing of the packaging. Please contact specialist companies to dispose of the appliance when it reaches the end of its service life.

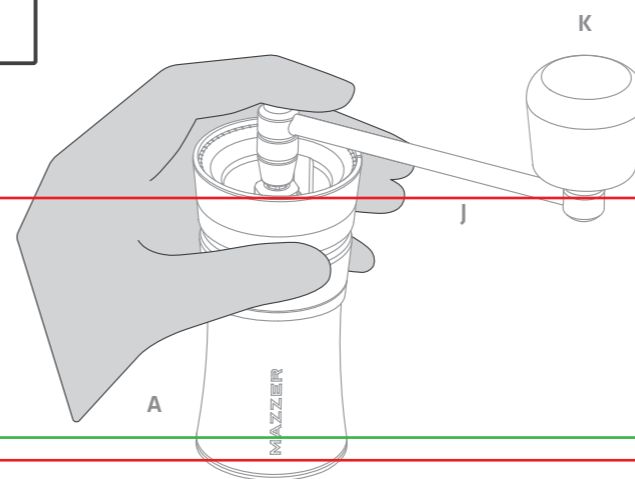
Failure to comply with these rules relieves the manufacture of any liability regarding damage to persons or property.

Mazzer Luigi Spa. Original instructions. All rights reserved. It is prohibited to reproduce, adopt or translate this document without prior written authorization.

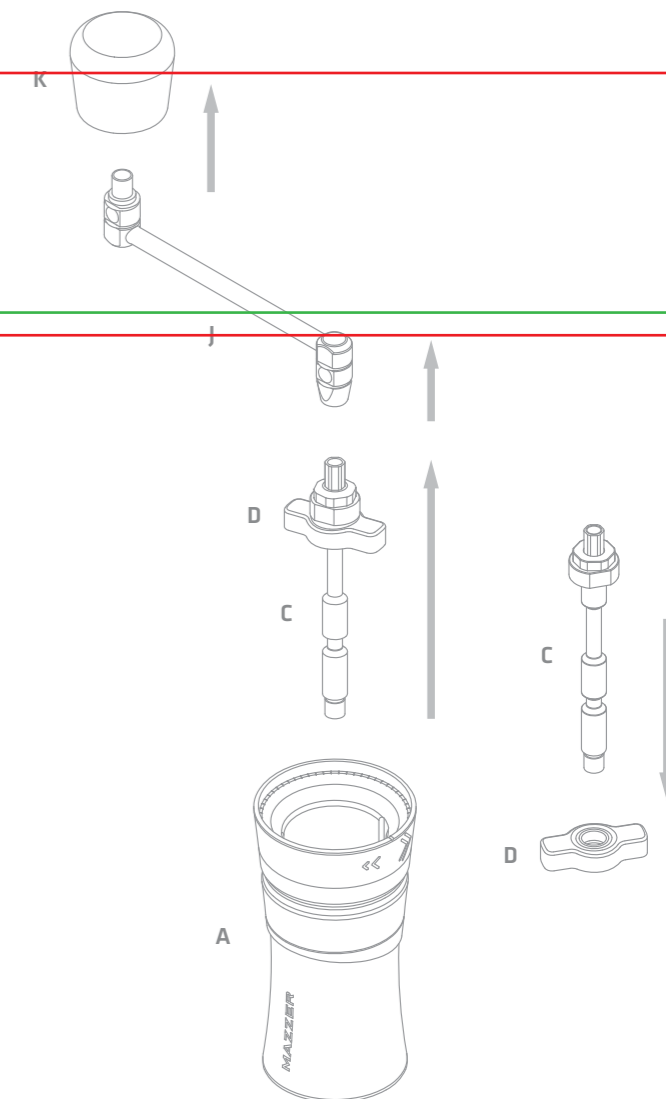
First edition: 2021 | Last Revised: IOM0L0010 - 03/2023



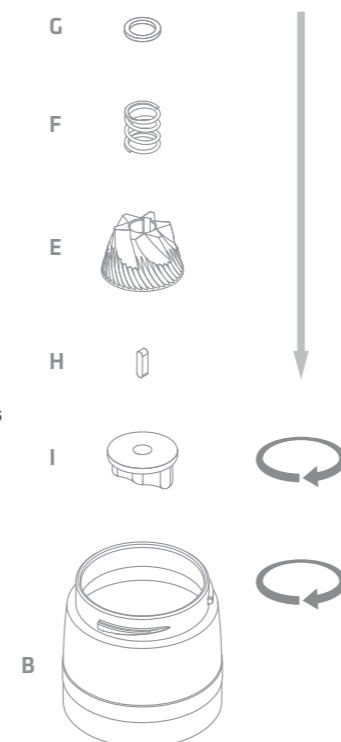
1



2

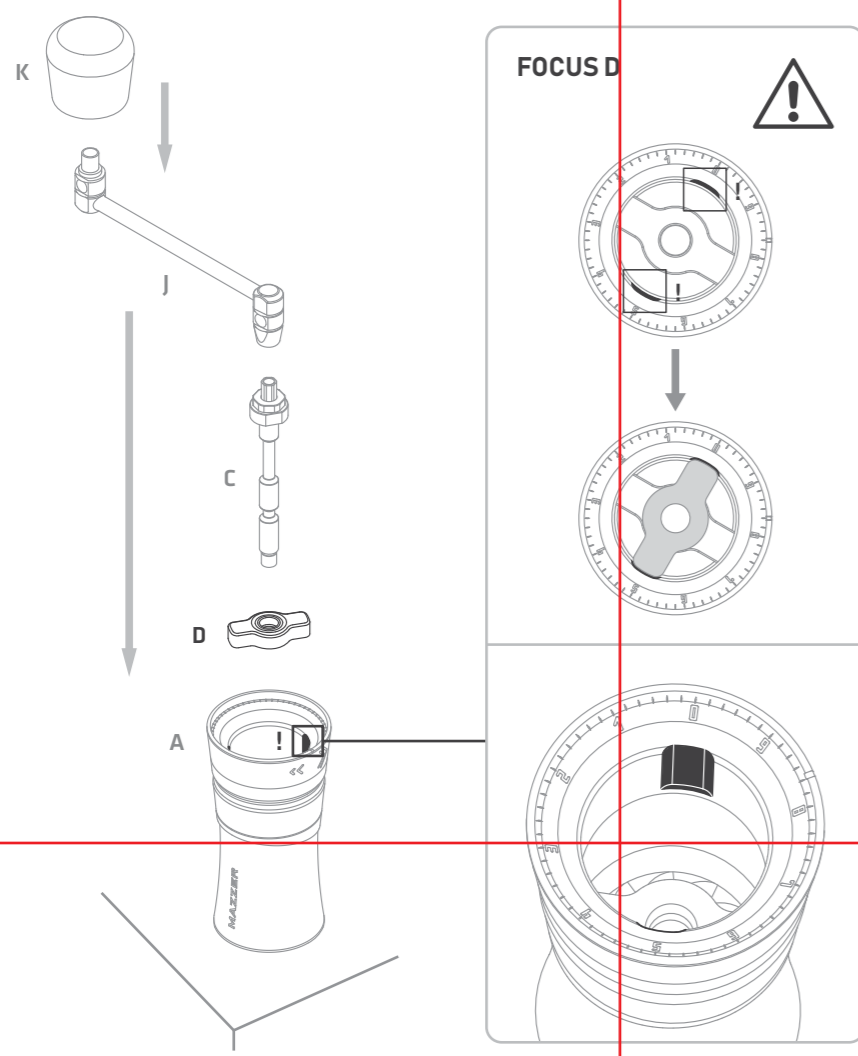


small pieces

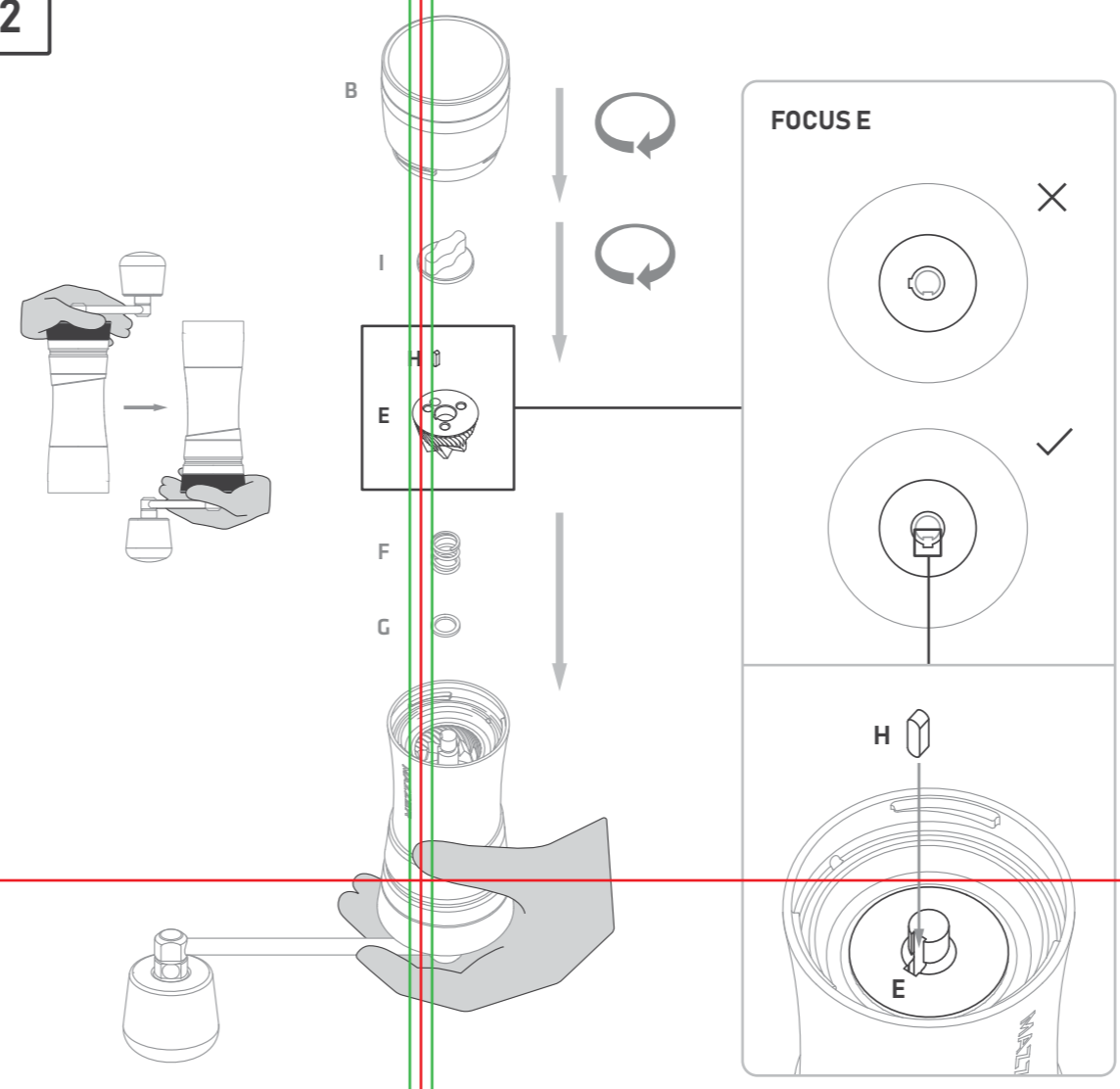


OMEGA | HOW TO ASSEMBLE

1



2

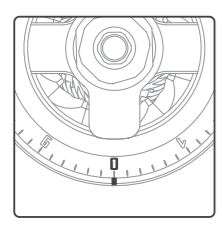


TUTORIAL



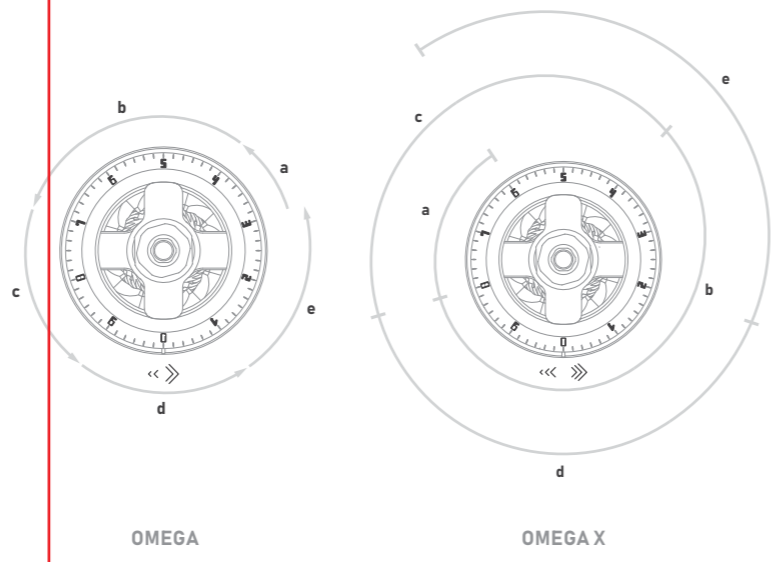
MAZZER LUIGI S.p.a.
Via Moglianese Gardigliano 113
30037 Scorzà (VE) - Italy
Tel.: +39 041 5831300
mazer@mazer.com
www.mazer.com

OMEGA | HOW TO ADJUST



Factory preset
Burrs zero-point contact
10 = 1 rotation
20 = 2 rotations

	<< 0 >>	<<< 0 >>>	
a	3	6	• Ibrik
b	4	8	• Espresso
c	7	10+4	• Moka
d	9	10+8	• Filter
e	10+1	20+2	• French press
	10+3	20+6	
	OMEGA	OMEGA X	



OMEGA | TECH SPECS

Height:	196 mm
Width/Diameter:	78 mm
Weight:	750 g (26 oz)
Burr diameter:	47 mm
Burr material:	Stainless steel
Body material:	stainless steel and anodised aluminium
Axle material:	stainless steel
Lever material:	carbon fibre
Knob and tank material:	anodised aluminium
Magnets:	neodymium
Grip:	silicone
Maximum capacity:	42 g (1.5 oz)
Adjustments:	from ibrik to french press coffee

